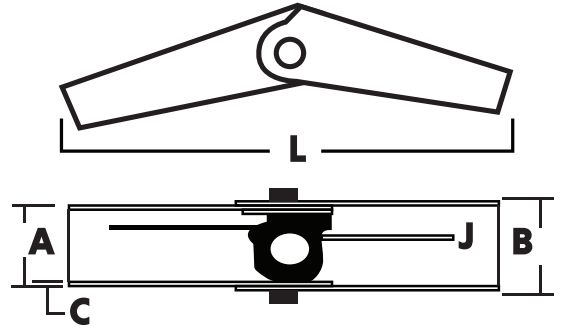




CONQUEST
CONQUER THE JOB

TOGGLE BOLTS

DIMENSIONAL INFORMATION



MEASURED IN MILLIMETERS (MM)

Bolt Size	A		B		C		L		J	
	Small Wing Width		Large Wing Width		Thickness		Toggle Length		Spring Diameter	
	Min	Max	Min	Max	Min	Max	Min	Max	Min	Max
6-32 (1/8-32)	5.7	6.7	7.7	8.7	0.55	0.65	36.5	39.5	36.5	39.5
8-32	8.6	9.6	11	12	0.65	0.75	48.5	51.5	48.5	51.5
10-24 (3/16-24)	8.6	9.6	11	12	0.65	0.75	48.5	51.5	48.5	51.5
1/4-20	10.7	12.3	13.6	15.2	0.85	0.95	52.5	55.5	52.5	55.5
5/16-18	14	15.6	17.1	18.7	1.1	1.3	63.5	66.5	63.5	66.5
3/8-16	16.5	18.5	19.9	21.9	1.1	1.3	73.5	76.5	73.5	76.5
1/2-13	19.8	21.8	24.5	26.5	1.4	1.6	111.5	114.5	111.5	114.5