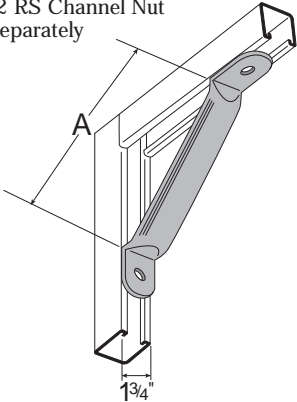


BRACES

Requires:
FS-7409 HHCS
FS-1/2 RS Channel Nut
Sold Separately

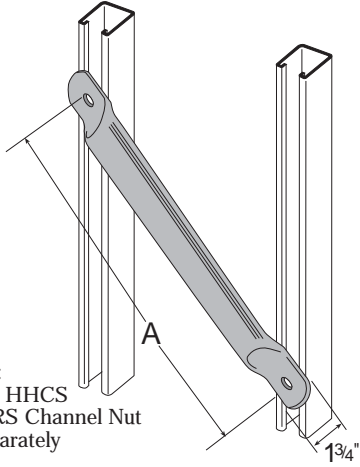


FS-5460 Series
TWO HOLE 45 TUBING
KNEE BRACE

| Part No. | A | #Cpc |
|------------|-----|------|
| FS-5460-18 | 18" | 115# |
| FS-5460-24 | 24" | 150# |
| FS-5460-30 | 30" | 180# |
| FS-5460-36 | 36" | 215# |

| Part No. | A | #Cpc |
|------------|-----|------|
| FS-5461-36 | 36" | 205# |
| FS-5461-42 | 42" | 235# |
| FS-5461-48 | 48" | 270# |
| FS-5461-54 | 54" | 300# |
| FS-5461-60 | 60" | 335# |

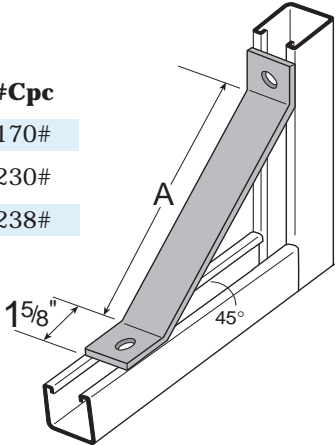
Requires:
FS-7409 HHCS
FS-1/2 RS Channel Nut
Sold Separately



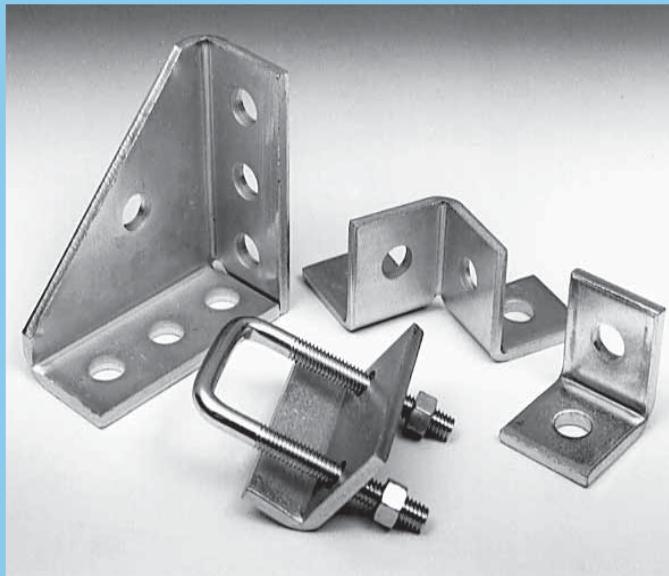
FS-5461 Series
TWO HOLE STRAIGHT
TUBING BRACE

Requires:
FS-7409 HHCS
FS-1/2 RS Channel Nut
Sold Separately

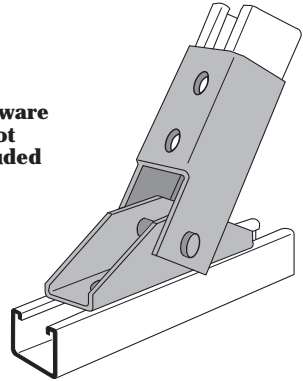
| Part No. | A | #Cpc |
|------------|-----|------|
| FS-5472-12 | 12" | 170# |
| FS-5472-16 | 16" | 230# |
| FS-5472-18 | 18" | 238# |



FS-5472 Series
CORNER BRACE



Hardware
Not
Included

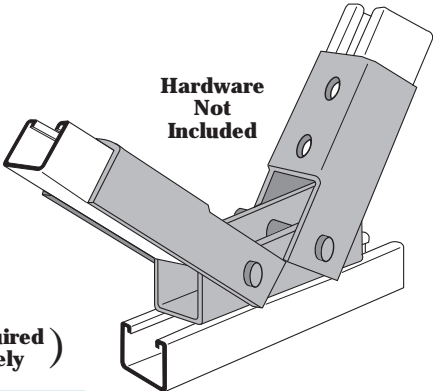


FS-5481 305#/Cpc
SINGLE ADJUSTABLE
CHANNEL BRACE

FS-5481 (Hardware Required Sold Separately)

- (1) FS-7415D 1/2 x 2-3/4 HHCS
- (1) FS-7463 1/2" HN

Hardware
Not
Included



FS-5482 495#/Cpc
DOUBLE ADJUSTABLE
CHANNEL BRACE

FS-5482 (Hardware Required Sold Separately)

- (2) FS-7415D 1/2 x 2-3/4 HHCS
- (2) FS-7463 1/2" HN

Tube Braces = 1" O.D. 14 Gauge • FS-5472, 5481 & 5482 Thickness = 1/4"