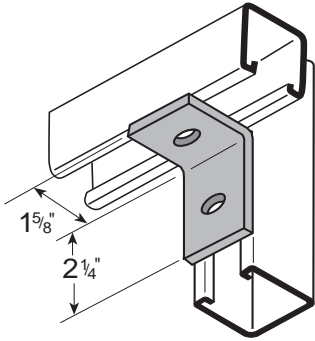


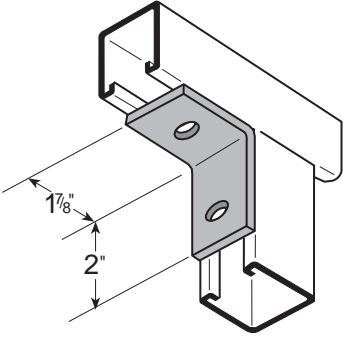
90° ANGLE FITTINGS

38#/Cpc



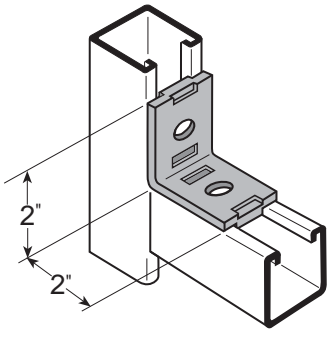
FS-5102
TWO HOLE CORNER

38#/Cpc



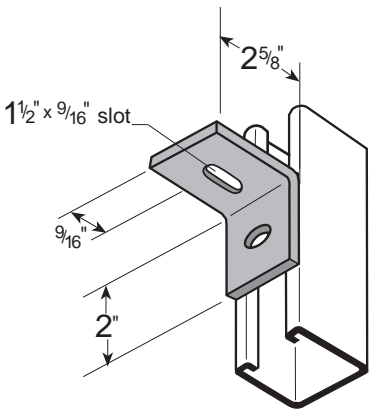
FS-5103
TWO HOLE CORNER

38#/Cpc



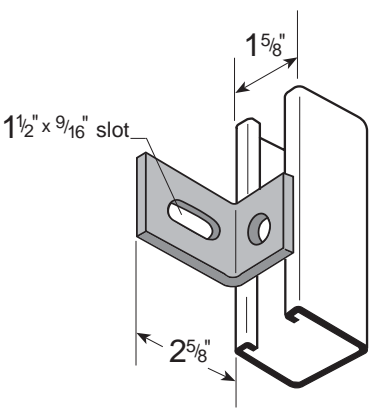
FS-5104
TWO HOLE INDENTED

43#/Cpc

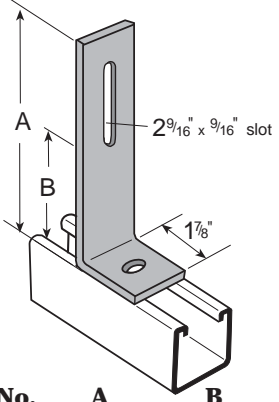


FS-5105
ADJUSTMENT ANGLE

38#/Cpc



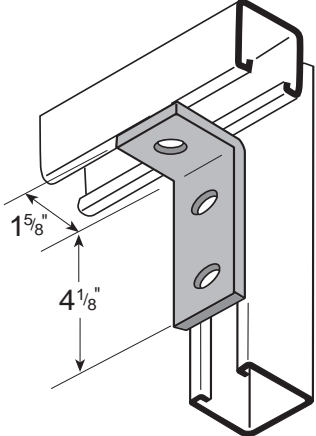
FS-5106
ADJUSTMENT ANGLE



Parts No.	A	B	WT/C
FS-5107	4-7/8"	1-1/4"	65#
FS-5108	6-7/8"	3-1/4"	85#

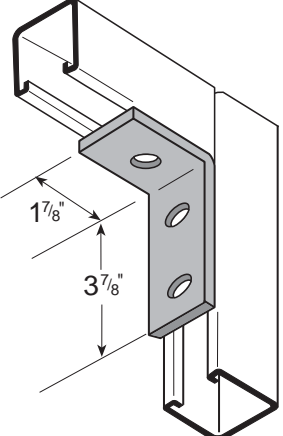
FS-5107 & FS-5108
ADJUSTMENT ANGLE

58#/Cpc



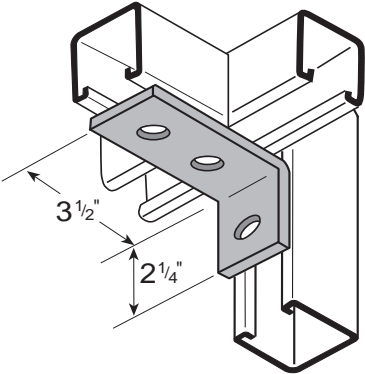
FS-5112
THREE HOLE CORNER

58#/Cpc



FS-5113
THREE HOLE CORNER

58#/Cpc



FS-5115
THREE HOLE CORNER

Thickness = 1/4" • Width = 1 5/8" • Hole Diameter = 9/16" • Hole Spacing = 1 7/8" • Edge Distance = 13/16"