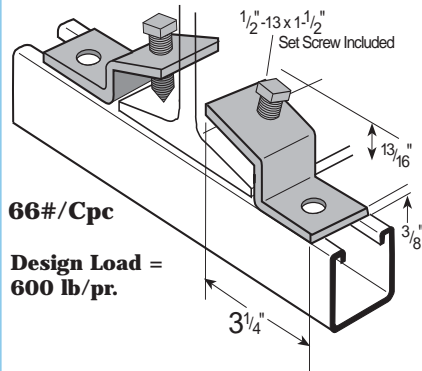


BEAM CLAMPS

Requires:
FS-7410 HHCS
FS-1/2 RS Channel Nut
Sold Separately

used in pairs –
Sold Singly



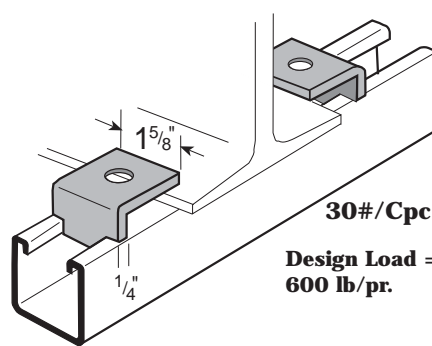
66#/Cpc

Design Load =
600 lb/pr.

FS-5712
FLANGE BEAM CLAMP
"Z" WITH SET SCREW

Requires:
FS-7411 HHCS
FS-1/2 RS Channel Nut
Sold Separately

used in pairs –
Sold Singly



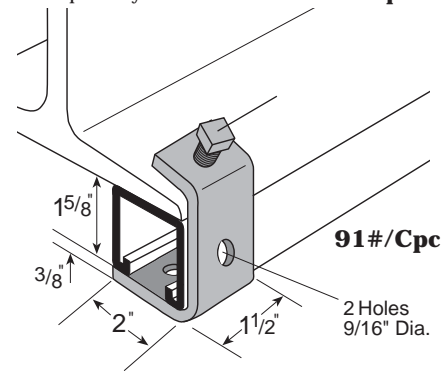
30#/Cpc

Design Load =
600 lb/pr.

FS-5713
CHANNEL-TO-FLANGE
ONE-HOLE BEAM CLAMP

Requires:
FS-7410 HHCS
FS-1/2 RS Channel Nut
Sold Separately

used in pairs –
Sold Singly
Design Load =
1000 lb/pr.



91#/Cpc

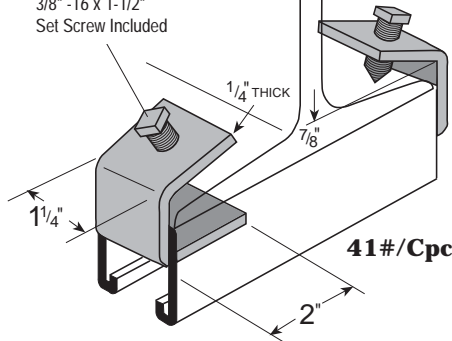
2 Holes
9/16" Dia.

FS-5714
CHANNEL-TO-FLANGE
TWO-HOLE BEAM CLAMP

used in pairs –
Sold Singly

Design Load = 450 lb/pr.

3/8" - 16 x 1-1/2"
Set Screw Included



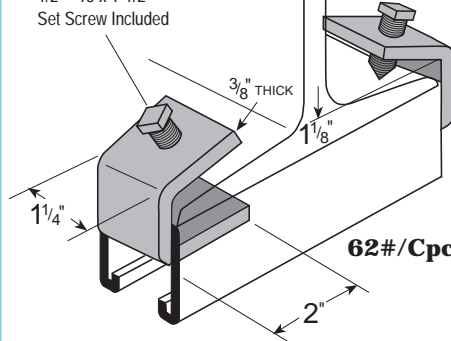
41#/Cpc

FS-5715
CHANNEL-TO-FLANGE
LIGHT-DUTY BEAM CLAMPS

used in pairs –
Sold Singly

Design Load = 900 lb/pr.

1/2" - 13 x 1-1/2"
Set Screw Included



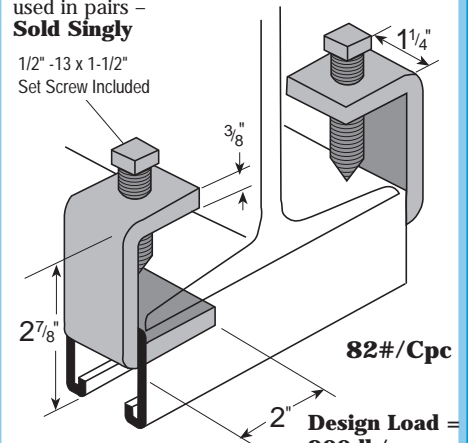
62#/Cpc

FS-5716
CHANNEL-TO-FLANGE
HEAVY-DUTY BEAM CLAMPS

used in pairs –
Sold Singly

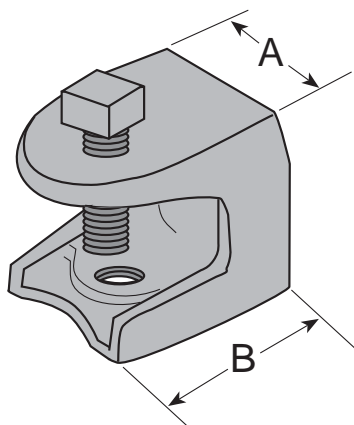
Design Load = 900 lb/pr.

1/2" - 13 x 1-1/2"
Set Screw Included

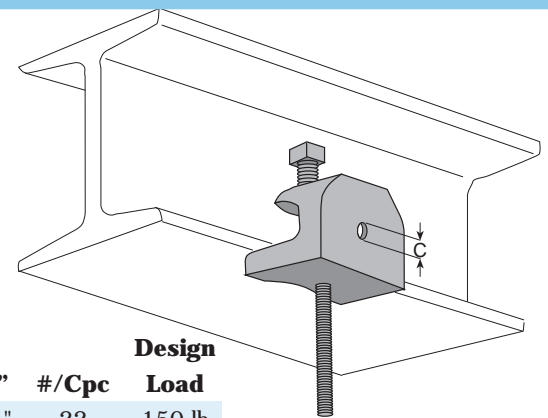


82#/Cpc

FS-5717
CHANNEL-TO-FLANGE
DEEP THROAT BEAM CLAMP



FS-5718 Series
ROD SUPPORT



| Part No. | "A" | "B" | "C" | #/Cpc | Design Load |
|-------------|--------|--------|------|-------|-------------|
| FS-5718-1/4 | 1" | 1-1/4" | 1/4" | 22 | 150 lb |
| FS-5718-3/8 | 2" | 2" | 3/8" | 95 | 350 lb |
| FS-5718-1/2 | 2-3/4" | 2-1/2" | 1/2" | 165 | 600 lb |

FS-5718 Series
ROD SUPPORT