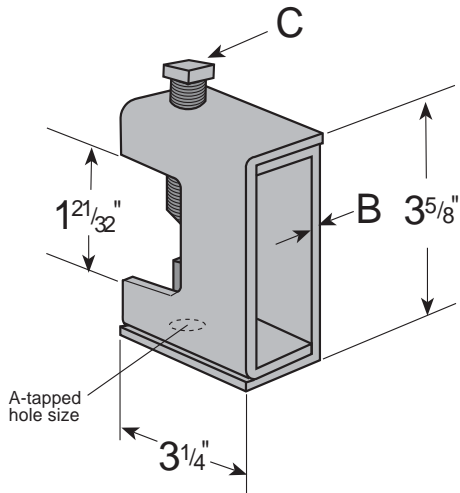


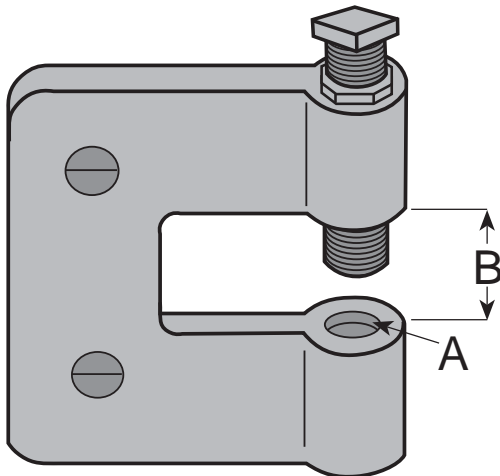
FS-5721 thru FS-5729

Part No.	A	B	C	#/Cpc	Allowable
					Load
FS-5721	1/4"-20	1/8"	3/8" x 1-1/2"	65	650#
FS-5722	5/16"-18	1/8"	3/8" x 1-1/2"	65	650#
FS-5723	3/8"-16	1/8"	3/8" x 1-1/2"	65	650#
FS-5724	3/8"-16	3/16"	1/2" x 1-1/2"	100	1100#
FS-5725	1/2"-13	3/16"	1/2" x 1-1/2"	100	1100#
FS-5726	1/2"-13	1/4"	1/2" x 1-1/2"	130	1600#
FS-5727	5/8"-11	1/4"	1/2" x 1-1/2"	130	1600#
FS-5728	5/8"-11	5/16"	5/8" x 1-1/2"	160	2400#
FS-5729	3/4"-10	5/16"	5/8" x 1-1/2"	160	2400#



FS-5731 thru FS-5736

Part No.	A	B	C	#/Cpc	Allowable
					Load
FS-5731	1/4"-20	1/8"	3/8" x 2"	105	800#
FS-5734	3/8"-16	3/16"	1/2" x 2"	160	1300#
FS-5736	1/2"-13	1/4"	1/2" x 2"	200	1900#



FS-5741 and FS-5742

Part No.	Loading		#/Cpc	Allowable Load
	Tapped Hole Size	Throat Opening		
	A	B		
FS-5741	3/8"-16	3/4"	50#	400#
FS-5742	1/2"-13	3/4"	55#	500#

Also Available in Stainless Steel