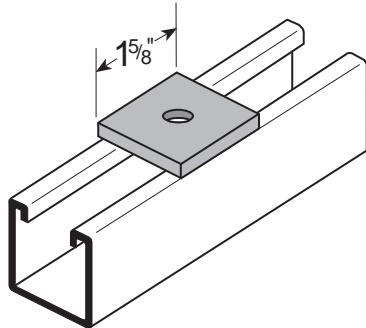


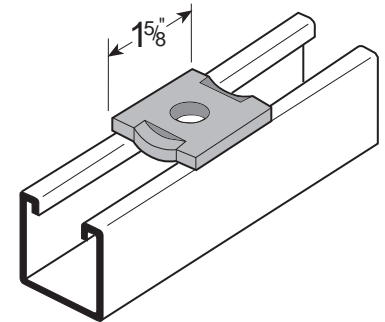
# FLAT PLATE FITTINGS

## FS-5003 Series SQUARE WASHER



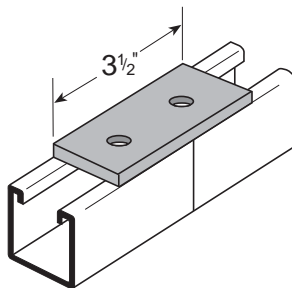
Part No.	Bolt Size	Wt./C
FS-5003-1/4	1/4"	18#
FS-5003-3/8	3/8"	18#
FS-5003-1/2	1/2"	17#
FS-5003-5/8	5/8"	16#
FS-5003-3/4	3/4"	15#

Part No.	Bolt Size	Wt./C
FS-5004-1/4	1/4"	18#
FS-5004-3/8	3/8"	18#
FS-5004-1/2	1/2"	17#
FS-5004-5/8	5/8"	16#
FS-5004-3/4	3/4"	15#



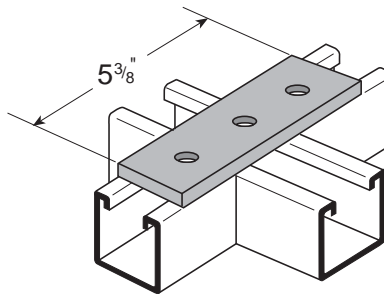
## FS-5004 Series SQUARE WASHER WITH CHANNEL GUIDE

38#/Cpc



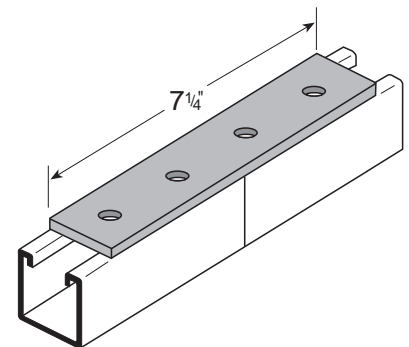
## FS-5007 TWO HOLE SPLICE

57#/Cpc



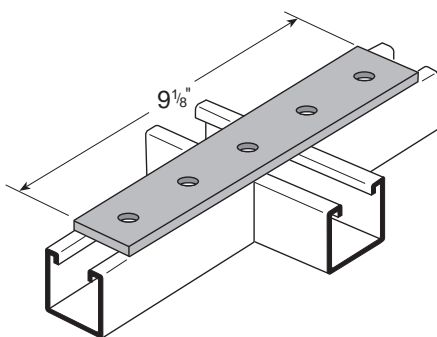
## FS-5008 THREE HOLE SPLICE

77#/Cpc



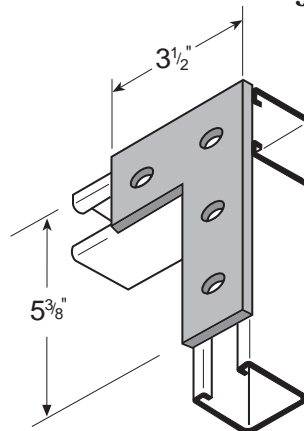
## FS-5009 FOUR HOLE SPLICE

95#/Cpc



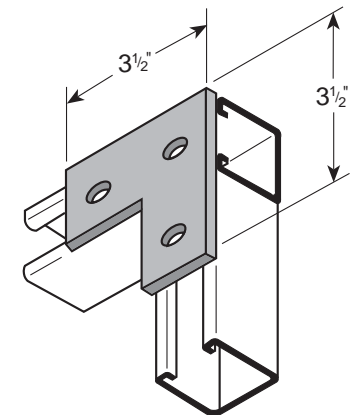
## FS-5010 FIVE HOLE SPLICE

57#/Cpc



## FS-5020 FOUR HOLE CORNER

60#/Cpc



## FS-5021 THREE HOLE CORNER

Thickness = 1/4" • Width = 1 5/8" • Hole Diameter = 9/16" • Hole Spacing = 1 7/8" • Edge Distance = 13/16"