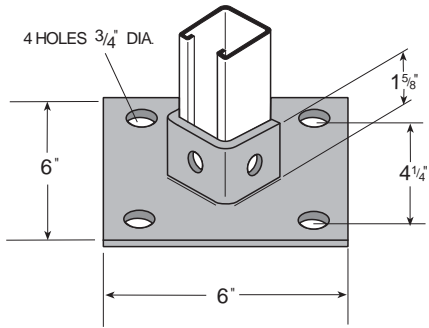
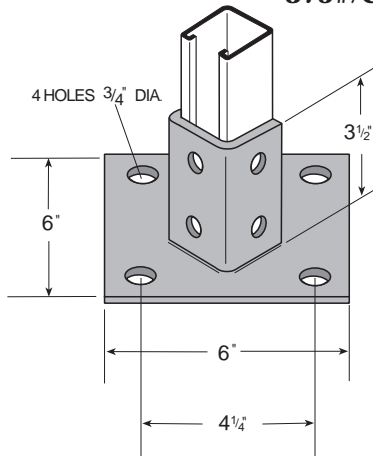


305#/Cpc



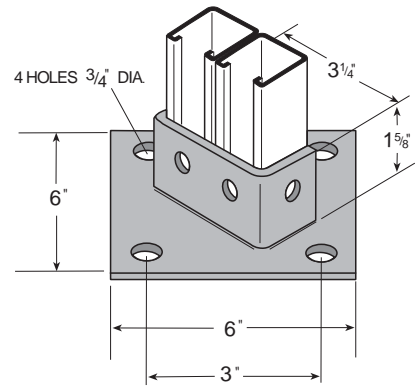
FS-5813
POST BASE

375#/Cpc



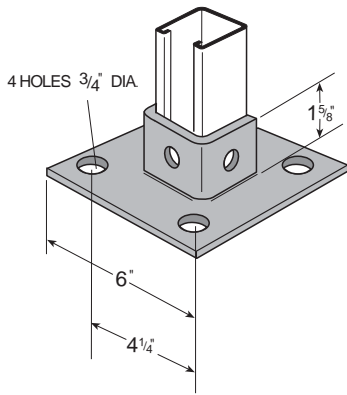
FS-5814
POST BASE

330#/Cpc



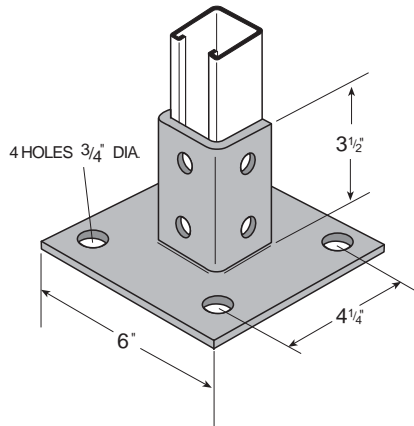
FS-5815
POST BASE

305#/Cpc



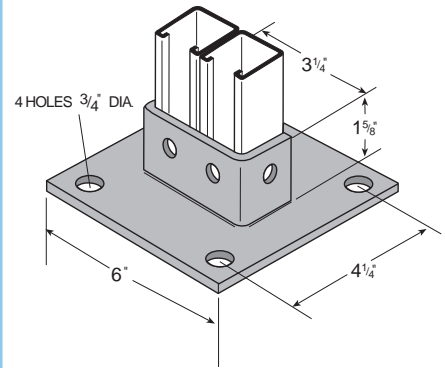
FS-5813SQ
POST BASE

375#/Cpc



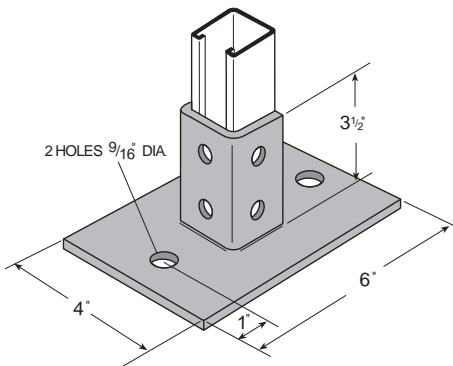
FS-5814SQ
POST BASE

330#/Cpc



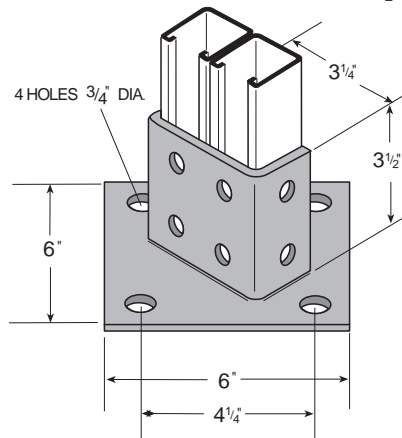
FS-5815SQ
POST BASE

285#/Cpc



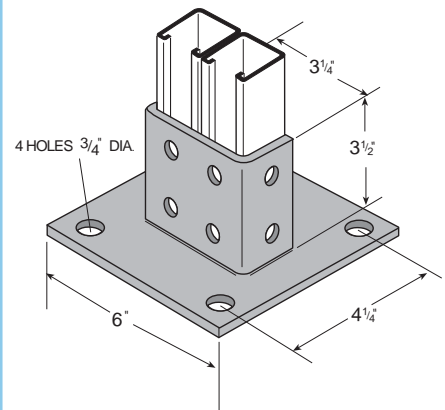
FS-5810
POST BASE

405#/Cpc



FS-5816
POST BASE

405#/Cpc



FS-5816SQ
POST BASE

Thickness = 1/4" • Typical Hole Diameter = 9/16" unless noted