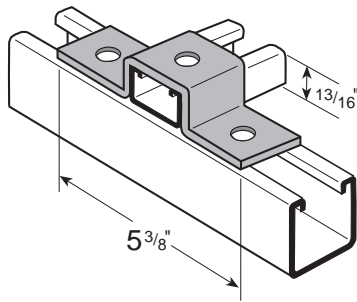


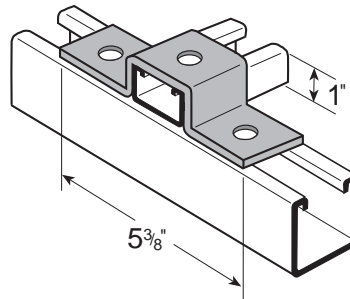
"U" FITTINGS

70#/Cpc



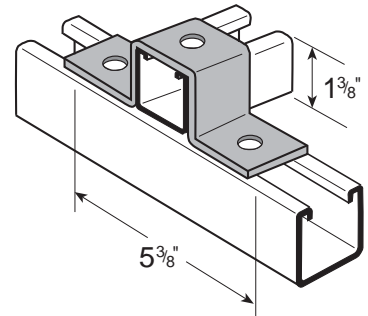
FS-5311-1
"U" FITTING FOR FS-500

75#/Cpc



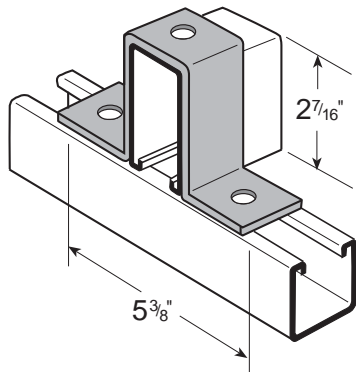
FS-5311-2
"U" FITTING FOR FS-400

85#/Cpc



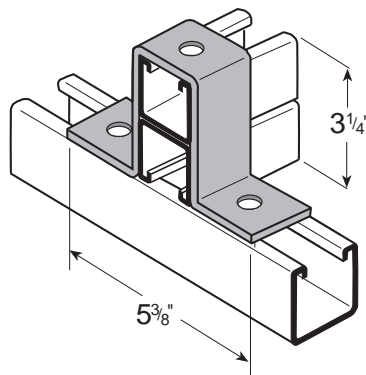
FS-5311-3
"U" FITTING FOR FS-300

110#/Cpc



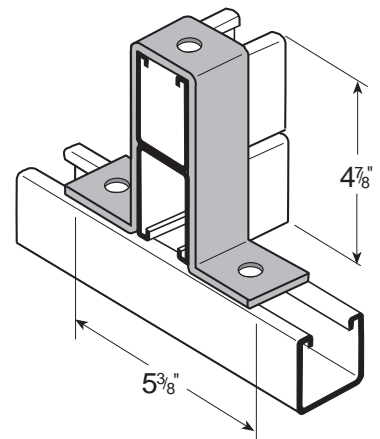
FS-5311-4
"U" FITTING FOR FS-150

128#/Cpc



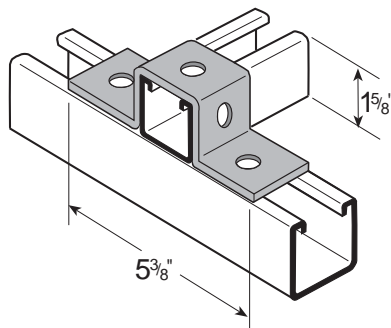
FS-5311-5
"U" FITTING FOR FS-100/201

155#/Cpc



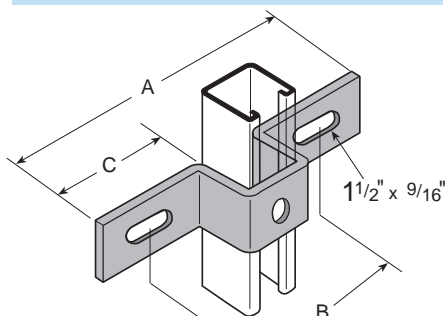
FS-5311-6
"U" FITTING FOR FS-151

88#/Cpc



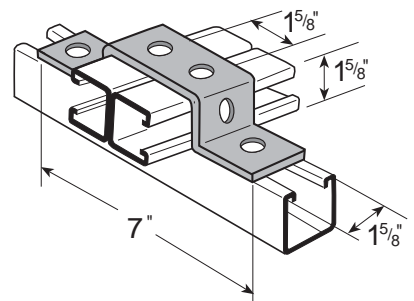
FS-5312
"U" FITTING FOR FS-200

Part No.	A	B	#/Cpc
FS-5307	7-1/4"	4-1/8"	103
FS-5308	8-1/2"	5-3/8"	115
FS-5310	10-3/8"	7-1/4"	135



FS-5307 thru FS-5310
SLOTTED "U" FITTING

105#/Cpc



FS-5317
SIX HOLE "U" SUPPORT

Thickness = 1/4" • Width = 1 5/8" • Hole Diameter = 9/16" • Hole Spacing = 1 7/8" • Edge Distance = 13/16"