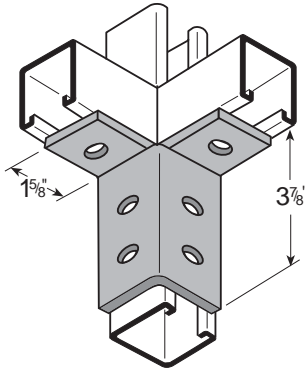


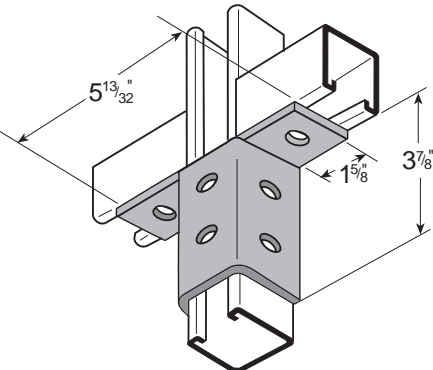
WING FITTINGS

110#/Cpc



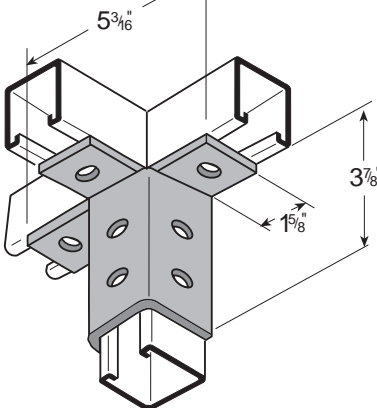
FS-5518
SIX-HOLE 2-WAY
CORNER CONNECTION

150#/Cpc



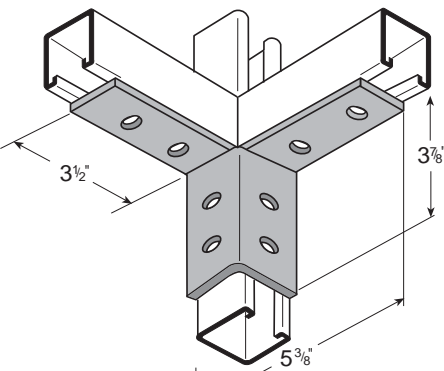
FS-5519
EIGHT-HOLE 2-WAY
WING CONNECTION

177#/Cpc



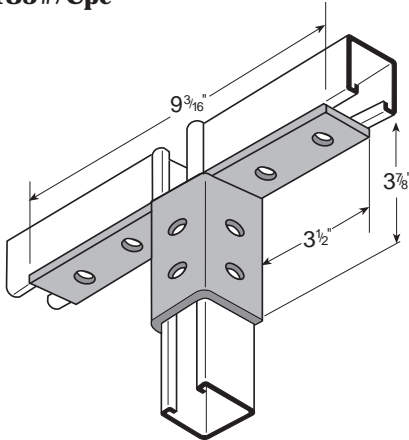
FS-5520
NINE-HOLE 3-WAY
CORNER CONNECTION

152#/Cpc



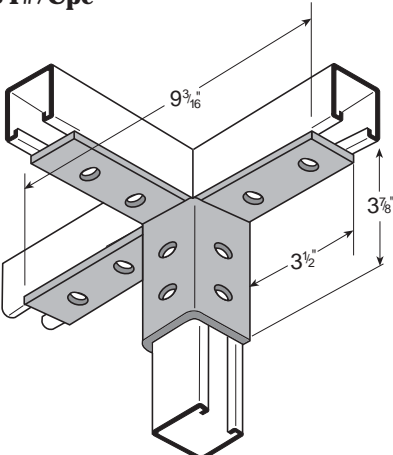
FS-5523
EIGHT-HOLE 2-WAY
CORNER CONNECTION

185#/Cpc



FS-5524
TEN-HOLE 2-WAY
WING CONNECTION

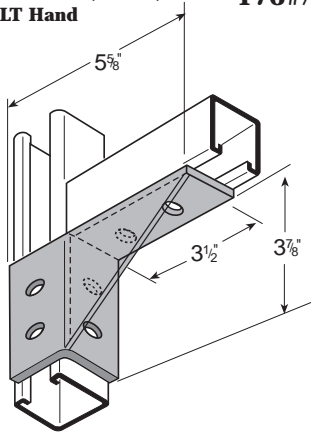
234#/Cpc



FS-5525
TWELVE-HOLE 3-WAY
CORNER CONNECTION

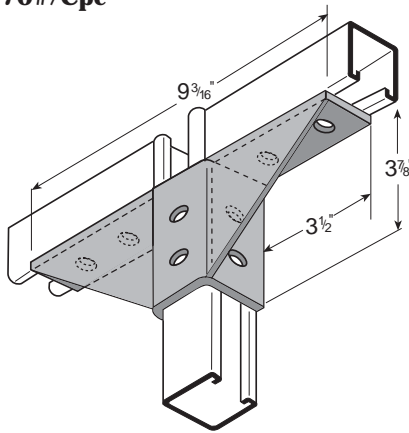
FS-5526 RT Hand (Shown)
FS-5527 LT Hand

176#/Cpc



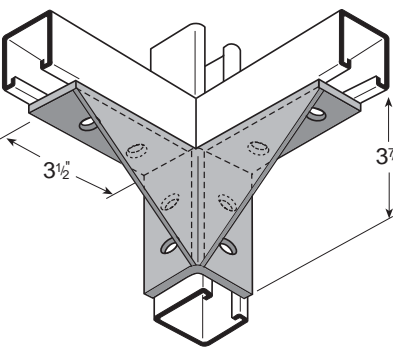
FS-5526 & FS-5527
SIX-HOLE CORNER
GUSSET CONNECTION

270#/Cpc



FS-5528
TEN-HOLE 2-WAY
WING GUSSET CONNECTION

215#/Cpc



FS-5529
EIGHT-HOLE 2-WAY
CORNER GUSSET CONNECTION

Thickness = 1/4" • Width = 1 5/8" • Hole Diameter = 9/16" • Hole Spacing = 1 7/8" • Edge Distance = 13/16"