

# H

## Seismic and Hurricane Ties

The hurricane tie series features various configurations of wind and seismic ties for trusses and rafters. The H16 series has a presloped seat of 5/12 for double trusses.

The presloped 5/12 seat of the H16 provides for a tight fit and reduced deflection. The strap length provides for various truss heel heights ranging from 13½" maximum to 4" minimum.

The HGA10 attaches to gable trusses and provides good lateral wind resistance. The HS24 attaches the bottom chord of a truss or rafter at pitches from 0/12 to 4/12 to double 2x4 top plates. Double-shear nailing allows for higher lateral resistance.

**Material:** See table

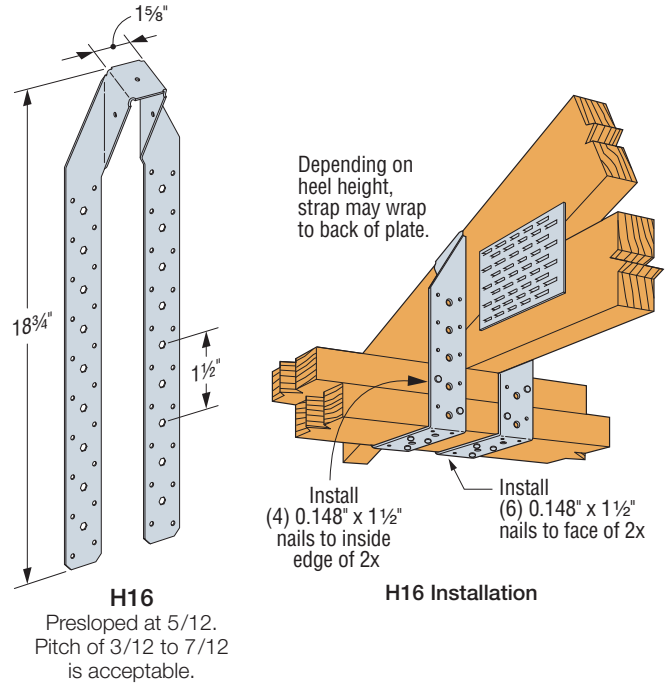
**Finish:** Galvanized; HGA also available in HDG

**Installation:**

- Use all specified fasteners; see General Notes.
- HGA10KT: sold as a kit with (10) HGA10 connectors and (40) ¼" x 1½" Strong-Drive® SDS Heavy-Duty Connector screws and (40) ¼" x 3" SDS screws. Additional screws sold separately to install with all ¼" x 1½" SDS screws (SDS25112).
- HS24 requires slant nailing only when bottom chord of truss or rafter has no slope.

**Codes:** See p. 13 for Code Reference Key Chart

**Web Applications:** Visit [app.strongtie.com/rws](http://app.strongtie.com/rws) to access our Roof-to-Wall Selector web application.

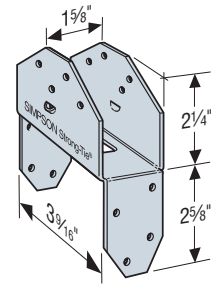


**H16**  
Presloped at 5/12.  
Pitch of 3/12 to 7/12  
is acceptable.

**H16 Installation**

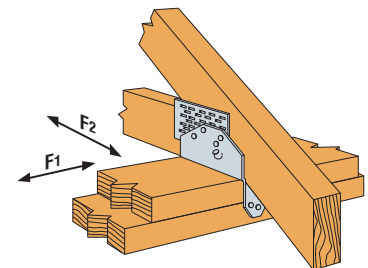
These products are available with additional corrosion protection. For more information, see p. 16.

Model No.	Ga.	Fasteners (in.)		DF/SP Allowable Loads				SPF/HF Allowable Loads				Code Ref.
		To Rafters/Truss	To Plates	Uplift (160)	Lateral (160)			Uplift (160)	Lateral (160)			
					F <sub>1</sub>	F <sub>2</sub>	F <sub>3</sub>		F <sub>1</sub>	F <sub>2</sub>	F <sub>3</sub>	
HGA10KT	14	(4) ¼" x 1½" SDS	(4) ¼" x 3" SDS	650	1,165	940	815	500	840	675	495	IBC®, FL, LA
			(4) ¼" x 1½" SDS	650	925	800	815	470	665	575	585	
HS24	18	(8) 0.131 x 1½" and (2) 0.131 x 2½" slant	(8) 0.131 x 2½"	605	645	1,100	—	520	555	945	—	IBC, FL, LA
H16	18	(2) 0.148 x 1½"	(10) 0.148 x 1½"	1,370	—	—	—	1,180	—	—	—	

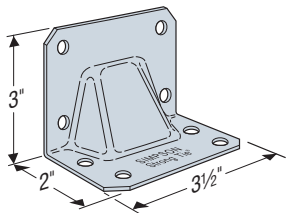


**HS24**

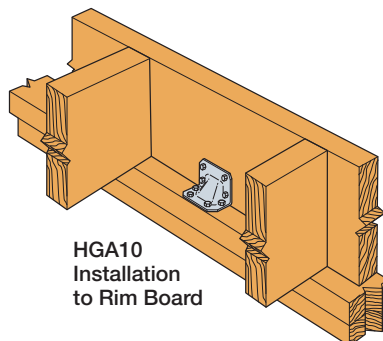
1. See pp. 276–277 for Straps and Ties General Notes.
2. When cross-grain bending or cross-grain tension cannot be avoided in the members, mechanical reinforcement to resist such forces shall be considered by the designer.
3. HS24 DF/SP allowable loads without slant nailing are 605 lb. (uplift), 590 lb. (F<sub>1</sub>), 640 lb. (F<sub>2</sub>). For SPF/HF loads multiply these values by 0.86.
4. Allowable loads in the F<sub>1</sub> direction are not intended to replace diaphragm boundary members or prevent cross-grain bending of the truss or rafter members. Additional shear transfer elements shall be considered where there may be effects of cross-grain bending or tension.
5. HGA10 loads in table are for when truss is parallel with the wall as depicted in the illustration. If truss is perpendicular to the wall, then uplift is 605 lb., F<sub>1</sub> is 500 lb. and F<sub>2</sub> is 720 lb. for DF/SP. For SPF/HF, multiply load values by 0.72.
6. **Fasteners:** Nail dimensions in the table are diameter by length. SDS screws are Simpson Strong-Tie Strong-Drive SDS Heavy-Duty Connector screws. See pp. 23–24 for fastener information.



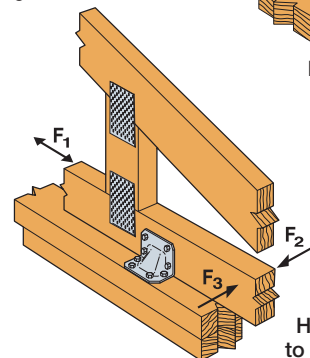
**HS24 Installation**



**HGA10**



**HGA10 Installation to Rim Board**



**HGA10 Installation to Double Top Plates**