

**LSSR™**

## Slopeable/Skewable Rafter Hanger

The patent-pending LSSR light slopeable/skewable rafter hanger is the next generation of field-adjustable rafter hangers. One of its key features is that it can be installed after the rafter has been tacked into place. A versatile hanger, it is field adjustable for skews up to 45° and features an innovative hinged swivel seat which adjusts up to a 45° slope.

**Features:**

- Makes it possible to install after the rafters are already in place
- Flange design allows for easy skew (*left or right*) adjustment, from 0° to 45°
- Swivel seat adjusts easily from 0° to 45° up or down

**Material:** See table

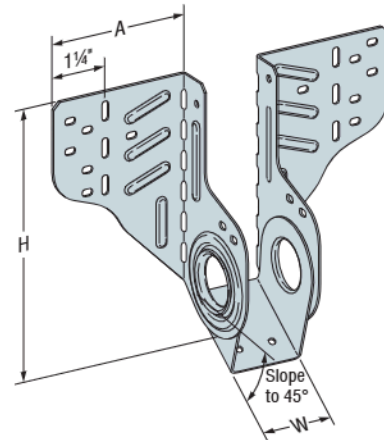
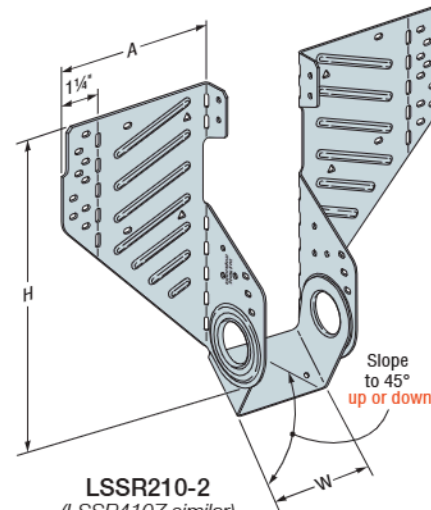
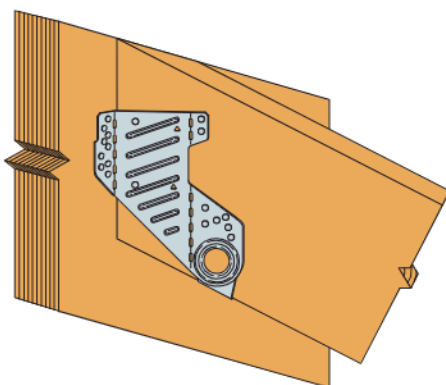
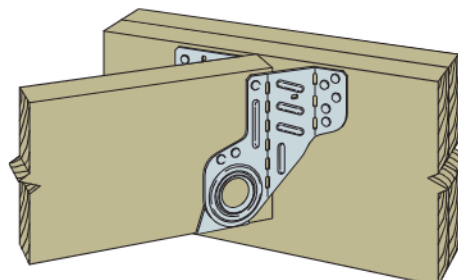
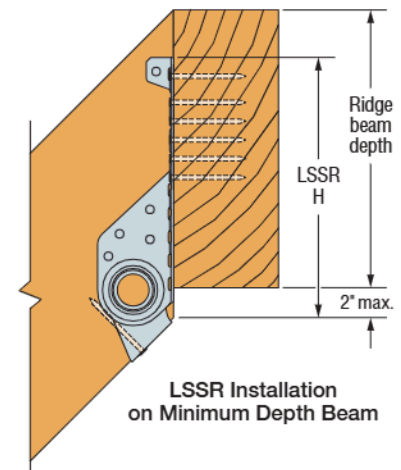
**Finish:** ZMAX® coating

**Installation:**

- Use all specified fasteners; see General Notes
- Limit on-center spacing of rafters and joists with LSSR210-2Z and LSSR410Z to 14" o.c. minimum; for the LSSR26Z, LSSR28Z and LSSR210Z, limit on-center spacing to 8" o.c. minimum.
- For a common rafter:
  - Slide hanger into position; adjust seat and install seat nails
  - Make sure side stirrups are snug close to the joist, bend lines are plumb
  - Install a face nail on each side to hold in place
  - Install all round and obround holes on the header and joist
- For jack rafters:
  - Fold acute side forward
  - Slide hanger into position; adjust seat and install seat nails
  - Make sure hanger is snug close to the joist, bend line is plumb
  - Install obround nails on acute side, both header and joist
  - Make sure hanger is snug close to the joist and header; bend line is plumb
  - Install joist nails on obtuse side
  - Bend obtuse side flange back so that header flange is flush against header
  - Install header nails

**Codes:** See p. 13 for Code Reference Key Chart

**Web Applications:** Visit [app.strongtie.com/hs](http://app.strongtie.com/hs) to access our Hanger Selector web application.


**LSSR26Z**

**LSSR210-2**  
 (LSSR410Z similar)  
 US Patent Pending

**Typical Sloped and Skewed LSSR Installation**

**LSSR26Z Installation at 45° Skewed Left**

**LSSR Installation on Minimum Depth Beam**


For more information and to watch an installation video, go to [strongtie.com/lssr](http://strongtie.com/lssr)

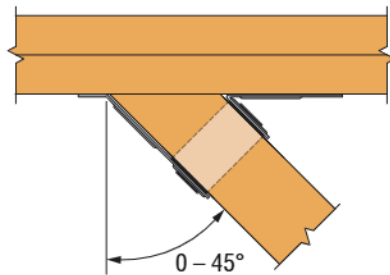
**LSSR™**

Slopeable/Skewable Rafter Hanger (cont.)

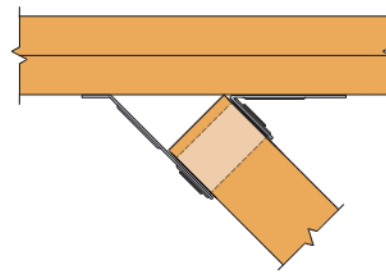
These products are available with additional corrosion protection. For more information, see p. 16.

Actual Joist Width (in.)	Model No.	Ga.	Dimensions (in.)			Fasteners (in.)		Allowable Loads								Code Ref.
			W	H	A	Face	Joist	DF/SP Species Header				SPF/HF Species Header				
								Uplift (160)	Floor (100)	Roof		Uplift (160)	Floor (100)	Roof		
		Snow (115)	Const. (125)	Snow (115)	Const. (125)											
<b>Sloped Only Hangers</b>																
1½	LSSR26Z	18	1¾	5%	2½	(12) 0.148 x 2½	(8) 0.148 x 1½	460	1,065	1,065	1,065	395	915	915	915	IBC®, FL, LA
	LSSR28Z			7½		(14) 0.148 x 2½	(10) 0.148 x 1½	785	1,405	1,405	1,405	675	1,210	1,210	1,210	
	LSSR210Z			9½		(14) 0.148 x 2½	(10) 0.148 x 1½	785	1,405	1,405	1,405	675	1,210	1,210	1,210	
3	LSSR210-2Z	16	3¾	8½	5%	(22) 0.162 x 2½	(18) 0.162 x 2½	695	2,365	2,365	2,365	600	2,035	2,035	2,035	
3½	LSSR410Z	16	3%	8½	5%	(22) 0.162 x 2½	(18) 0.162 x 2½	695	2,365	2,365	2,365	600	2,035	2,035	2,035	
<b>Skewed Hangers or Sloped and Skewed Hangers</b>																
1½	LSSR26Z	18	1¾	5%	2½	(11) 0.148 x 2½	(7) 0.148 x 1½	460	760	760	760	395	655	655	655	IBC, FL, LA
	LSSR28Z			7½		(13) 0.148 x 2½	(8) 0.148 x 1½	785	925	925	925	675	795	795	795	
	LSSR210Z			9½		(13) 0.148 x 2½	(8) 0.148 x 1½	785	1,150	1,150	1,150	675	990	990	990	
3	LSSR210-2Z	16	3¾	8½	5%	(20) 0.162 x 2½	(13) 0.162 x 2½	695	1,810	1,810	1,810	600	1,555	1,555	1,555	
3½	LSSR410Z	16	3%	8½	5%	(20) 0.162 x 2½	(13) 0.162 x 2½	695	1,810	1,810	1,810	600	1,555	1,555	1,555	

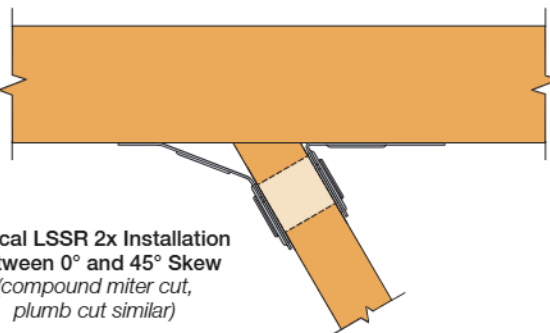
1. Uplift loads have been increased for earthquake or wind loading with no further increase allowed. Reduce where other loads govern.
2. For slope-only installations, the four triangle holes may be filled for an allowable roof download of 3,015 lb. for DF/SP and 2,595 lb. for SPF/HF for LSSR 16GA.
3. Roof loads are 125% of floor loads unless limited by other criteria. Floor loads may be adjusted for load durations according to the code provided they do not exceed those in the roof column.
4. On the acute side of the skewed LSSR hanger, fill obround holes only.
5. **Fasteners:** Nail dimensions are listed diameter by length. See pp. 23–24 for fastener information.



**Typical LSSR Installation**  
(compound miter cut)



**Alternate LSSR Installation**  
(plumb cut)



**Typical LSSR 2x Installation**  
Between 0° and 45° Skew  
(compound miter cut,  
plumb cut similar)