

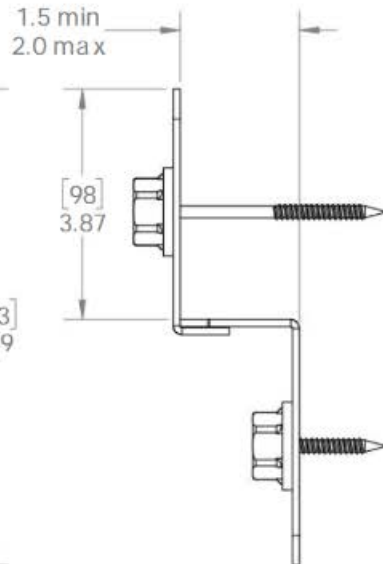
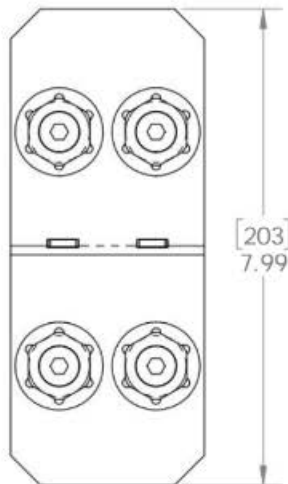
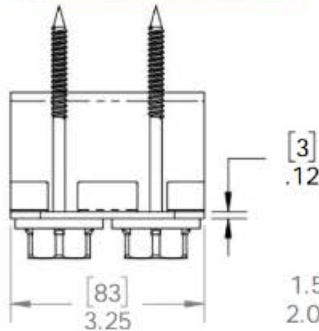


OZCO BUILDING PRODUCTS

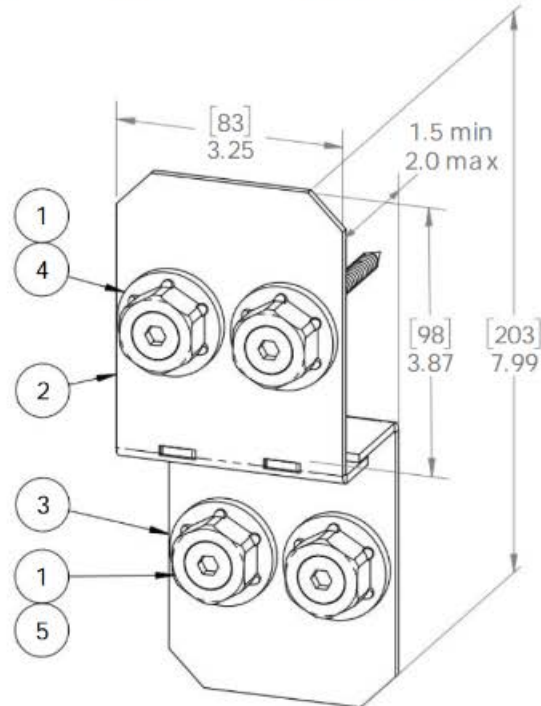
# Product & Packaging Specs

## 4" Post to Beam (P2B-IW-4)

Item #: 51775



ITEM NO.	QTY	PART NUMBER	DESCRIPTION
1	0.4	56621	1 1/2" Hex Cap Nut (HCN)
2	1	51775-12	Plate, 4" Post to Beam (P2B-IW-4)
3	1	51775-11	Ledge, 4" Post to Beam (P2B-IW-4)
4	0.08	56627	OWT Timber Screw 3-3/4"
5	0.08	56625	OWT Timber Screw 1-3/4"



kit includes 2 assemblies

Weight: 1.37 LBS  
 Scale: 1:2.5  
 Last updated: 10/10/2016

51775