

FJA/FSA

Foundation Anchors

The FJA foundation joist anchor nails or bolts directly into floor joists, providing a direct connection between the foundation and joist to resist uplift and lateral forces.

The FSA foundation stud anchor nails or bolts to floor joists, or nails to the stud. Plywood sheathing may require notching with stud-to-foundation installation.

Material: 12 gauge

Finish: Galvanized. May be ordered HDG.

Installation:

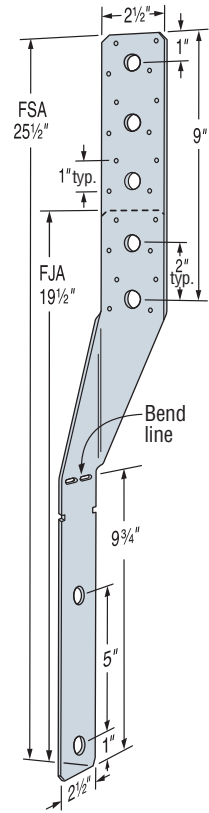
- Use all specified fasteners; see General Notes.
- FJA and FSA may be bent along bend line up to 20° to accommodate installation. Bend one time only.

Codes: See p. 13 for Code Reference Key Chart

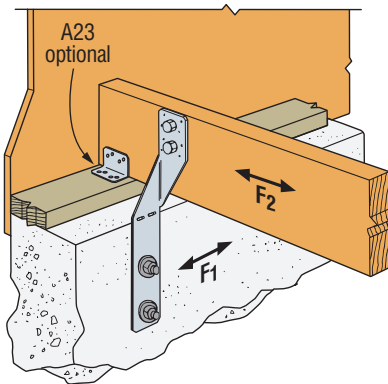
These products are available with additional corrosion protection. For more information, see p. 16.

Model No.	Fasteners			DF/SP Allowable Loads (160)			Code Ref.
	Anchor Bolt		Stud / Joist / Plate	Uplift	F ₁	F ₂	
	Qty.	Dia.					
FJA	2	½"	(8) 0.148 x 1½	1,250	205	55	IBC®, FL, LA
			(2) ½" bolt	710	205	55	
FSA	2	½"	(8) 0.148 x 1½	1,250	—	—	
			(2) ½" bolt	710	—	—	

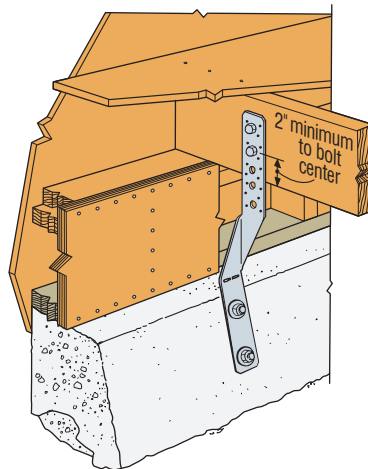
1. Allowable loads have been increased for wind or earthquake loading with no further increase allowed. Reduce where other loads govern.
2. Spacing to be specified by the designer.
3. All references to bolts are for structural-quality through bolts (not lag screws or carriage bolts) equal or better than ASTM A307, Grade A.
4. **Fasteners:** Nail dimensions are listed diameter by length. See pp. 23–24 for fastener information.



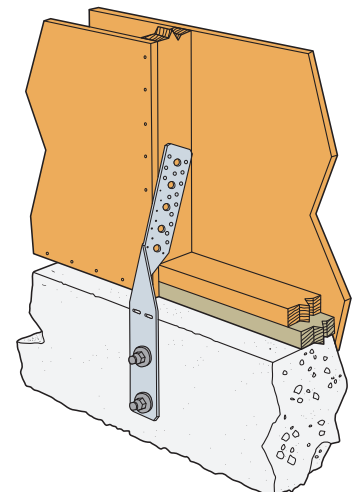
FJA/FSA



Typical FJA Installation
Foundation to Joist



Typical FSA Installation
Foundation to Joist



Typical FSA Installation
Foundation to Stud