

# U/HU/HUC/HUCQ

## Face-Mount Hangers

See hanger tables on pp. 156–162.

**U** — The standard U hanger provides flexibility of joist to header installation. Versatile fastener selection with tested allowable loads.

**HU/HUC** — Most models have triangle and round holes. To achieve maximum loads, fill both round and triangle holes with common nails.

**HUCQ** — Features concealed flanges so it can be installed close to the end of the supporting beam or on a post. They install with Strong-Drive® SDS Heavy-Duty Connector screws (supplied with the hanger) for high capacity and ease of installation.

**Feature:**

- HUCQ only — Fire-resistant F (flame) and T (temperature) rated in Intertek Design No. SST/WPCF 120-01.



**Material:** U — 16 gauge; HU/HUC/HUCQ — 14 gauge

**Finish:** Galvanized

**Installation:**

- Use all specified fasteners; see General Notes.
- HU/HUC — Can be installed filling round holes only, or filling round and triangle holes for maximum values.
- HUCQ — When using structural composite lumber columns, the capacities shown in the tables are for fasteners applied to the wide face of the column.
- Web stiffeners are required for I-joists used with **U/HU/HUC only**.
- For installation to masonry or concrete, see pp. 253–255.
- HU/HUC/HUCQ hangers can be welded to a steel member. For HU/HUC allowable loads, refer to technical bulletin T-C-HU/HUC-W at [strongtie.com](http://strongtie.com). HUCQ allowable loads listed in hanger tables on pp. 156–162 apply when installed with minimum (6) 1" welds.

**Options:**

- Order HUC\_X hanger. For both flanges concealed, order HUC.

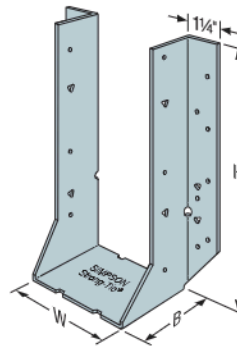
**Sloped, Skewed and Sloped/Skewed:**

- For low-cost, code-approved 45° skewed hangers, see SUR/SUL on pp. 164–165.
- For field-adjustable hangers, see LSSR on pp. 166–167.
- See modification table for available options and associated load capacities for U and HU hangers.
- HUCQ cannot be modified.

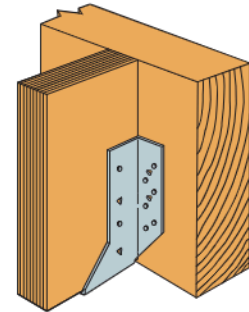
**Codes:** See p. 13 for Code Reference Key Chart

**Web Applications:**

Visit [app.strongtie.com/hs](http://app.strongtie.com/hs) to access our Hanger Selector web application.



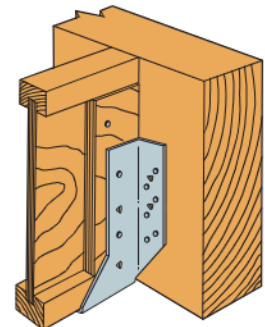
**HU410**



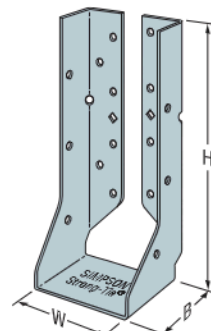
**Typical HU7 Installation**



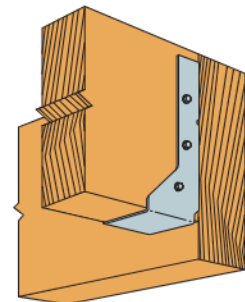
**HUC412  
Concealed Flanges**



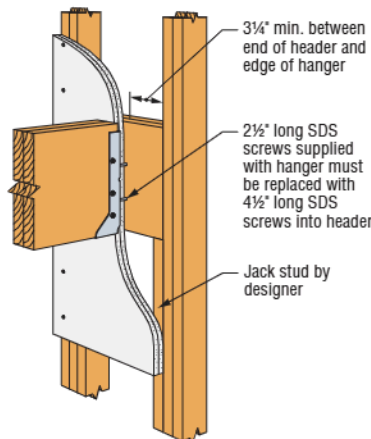
**Typical HU7 Installation**



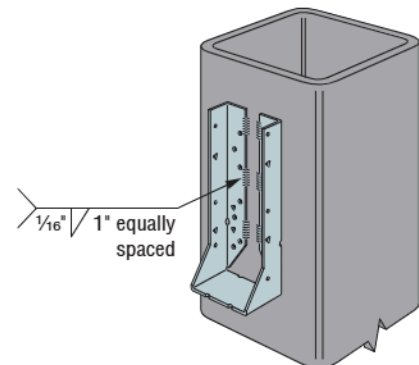
**HUCQ**



**Typical HUCQ Installed  
on End of a Beam**



**HUCQ Over Two Layers  
of 5/8" Drywall**



**HUC Welded  
to Steel Column  
(HUCQ similar)**

# U/HU/HUC/HUCQ

## Face-Mount Hangers (cont.)

### U/HU/HUC Series Modifications and Associated Load Reductions

Seat		Flange		Fastener Substitutions	
Seat Sloped Up or Down 45° Max.	Seat Skewed 67½° Max. <sup>3</sup> for W ≤ 6 45° Max. for W ≥ 6	Seat Sloped and Skewed	One or Both HU Flanges Concealed <sup>2</sup>	Stainless-Steel Nails 0.162" x 3½"	
1.00	W ≤ 3¾ use 1.00 W > 3¾ use 0.80	0.80	1.00 (normal) 0.80 (when sloped and skewed)	Ring shank	1.00
				Smooth shank (normal seat)	1.00
				Smooth shank (modified seat <sup>1</sup> )	0.50

1. Modified seat is sloped, skewed, or both. If sloped only or skewed only, use a smooth-shank stainless-steel reduction of 0.65.
2. For hanger applications with both flanges concealed, W must be at least 2¾". To order, ask for HUCXXX.  
For skewed HUC, only flange on acute side is concealed.
3. Skews over 50° require a square-cut joist.

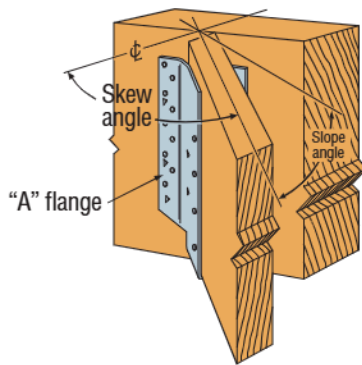
### Reduction Factor Instructions

**Allowable Download** = Seat x Flange x Stainless Steel Nails x Other Fastener Substitutions x Table Load

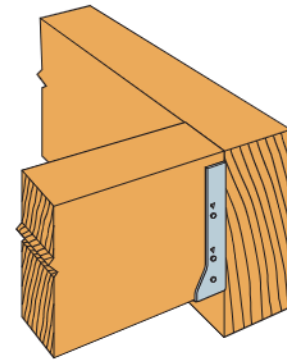
**Allowable Uplift** = 0.75 x Face Fastener Type x Table Load for skewed or sloped  
1.00 x Face Fastener Type x Table Load for non-skewed or non-sloped

### Maximum Skew Angle for Skewed HUC Hangers

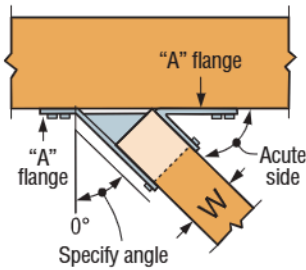
Hanger Width (in.)	Maximum Skew (degree)
2⅝	31
2¾	31
2⅞	34
3¼	37
3½	41
3¾	42
> 3¾	45



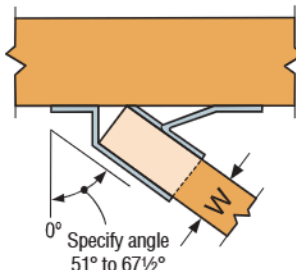
Typical HU Sloped Down, Skewed Right Installation



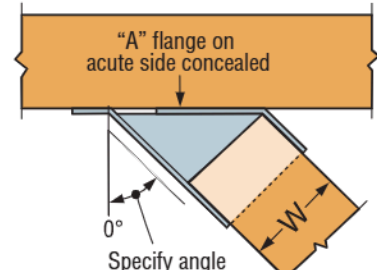
Typical HUC Installed on a Beam



Top View U Hanger Skewed Right < 51° (square cut)



Top View U Hanger Skewed Right ≥ 51° (square cut)



Top View HUC Concealed Hanger Skewed Right (square cut)