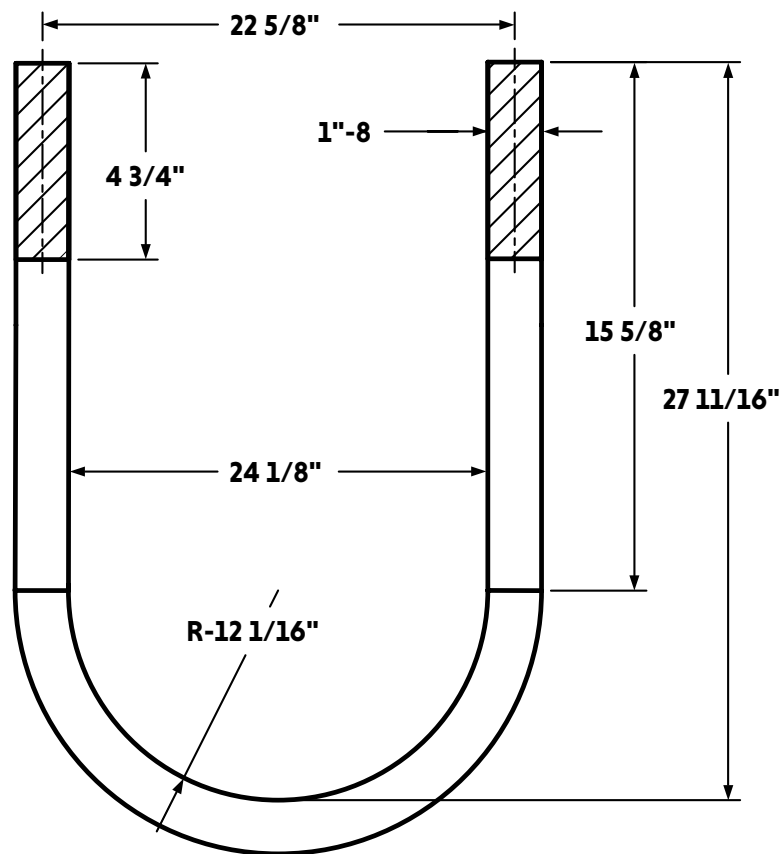




# CONQUEST

CONQUER THE JOB

## ROUND U-BOLT FOR 24" STANDARD FIGURE 137 DIMENSIONAL INFORMATION



This drawing is intended for manufacturing approval only. It should not be used for design or engineering purposes. Conquest Fasteners does not guarantee the accuracy of this information, or make any suggestions, estimations, recommendations or other guarantee as to the suitability of this item for your or your customers application of this item(s) in their project, assembly or use case. It is only to show what we propose we could manufacture for you if your customers project management or engineering staff approve.

Material	F1554 Gr. 55
Finish	Plain
Weight	13.30

Disclaimer: The above is a compilation of data, from various industry standards. Conquest Fasteners has taken every effort to present the data accurately. However Conquest Fasteners cannot be held liable for any claim traceable to any errors typographical or otherwise contained herein.