

# T/L/HT/HL/HTQ

## Strap Ties

T and L strap ties are versatile utility straps used for stronger 90° connections. The 1616HTQ installs faster and easier with the patented Strong-Drive® SDWH™ Timber-Hex HDG screws (screws not included). Additional black powder coated strap ties also available. See Decorative Hardware section, p. 348 for more information.

**Finish:** L and T — Galvanized; also available HDG (except 55L); HL and HT — Galvanized; also available HDG or black powder coat (add HDG or PC to sku); HTQ — HDG

**Codes:** See p. 13 for Code Reference Key Chart

**Web Applications:** Visit [app.strongtie.com/pbs](http://app.strongtie.com/pbs) to access our Post-to-Beam Selector web application.



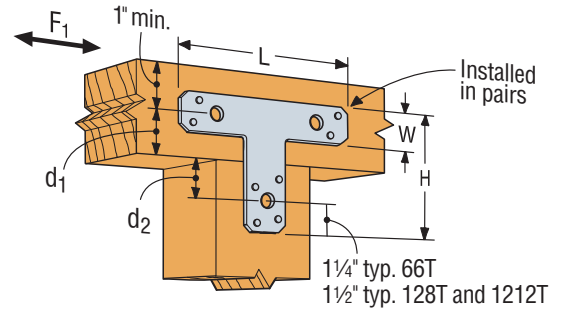
These products are available with additional corrosion protection. For more information, see p. 16.

Model No.	Ga.	Dimensions (in.)			Fasteners			Code Ref.
		L	H	W	Nails (in.)	Qty.	Dia.	
55L	16	4¾	4¾	1¼	(5) 0.148 x 2½	—	—	—
66L	14	6	6	1½	(10) 0.162 x 2½	3	¾"	—
88L	14	8	8	2	(12) 0.162 x 2½	3	½"	—
1212L	14	12	12	2	(14) 0.162 x 2½	3	½"	—
66T	14	6	5	1½	(8) 0.162 x 2½	3	¾"	—
128T	14	12	8	2	(12) 0.162 x 2½	3	½"	—
1212T	14	12	12	2	(12) 0.162 x 2½	3	½"	—

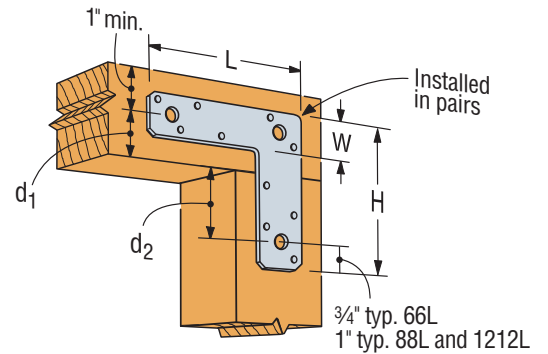
1. These connectors are not load rated; may be installed with nails or bolts.
2. All references to bolts are for structural-quality through bolts (not lag screws or carriage bolts) equal to or better than ASTM A307, Grade A.
3. **Fasteners:** Nail dimensions are listed diameter by length. See pp. 23–24 for fastener information.

Model No.	Ga.	Dimensions (in.)			Minimum Bolt End and Edge Distances (in.)		Fasteners	Allowable Loads		Code Ref.
		L	H	W	d <sub>1</sub>	d <sub>2</sub>		Tension/Uplift (100/160)	F <sub>1</sub> (100/160)	
1212HL	7	12	12	2½	2½	4¾	(5) ¾" bolts	1,535	565	—
1616HL	7	16	16	2½	2½	4¾	(5) ¾" bolts	1,535	565	—
1212HT	7	12	12	2½	2½	4¾	(6) ¾" bolts	2,585	815	—
1616HT	7	16	16	2½	2½	4¾	(6) ¾" bolts	2,585	815	—
<b>NEW</b> 1616HTQ	7	16	16	2½	—	—	(10) SDWH27400G	2,670	870	—

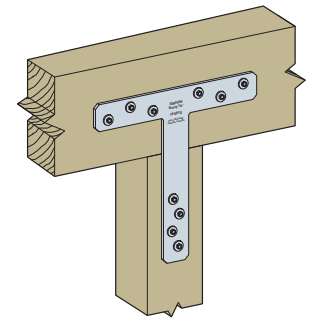
1. 1212HL, 1616HL, 1212HT and 1616HT are to be installed in pairs with bolts in double shear and assume a minimum member thickness of 3½". A single part with bolts in single shear is not load rated.
2. 1616HTQ loads are for a single part and may be doubled when installed in pairs on opposite sides of a minimum 5½" thick member.
3. 1212HT, 1616HT and 1616HTQ loads assume a continuous beam.
4. All references to bolts are for structural-quality through bolts (not lag screws or carriage bolts) equal to or better than ASTM A307, Grade A.
5. **Screws:** SDWH27400G = 0.27" diameter x 4" long Strong-Drive SDWH Timber-Hex HDG screw. Longer SDWH27G screws may be used.



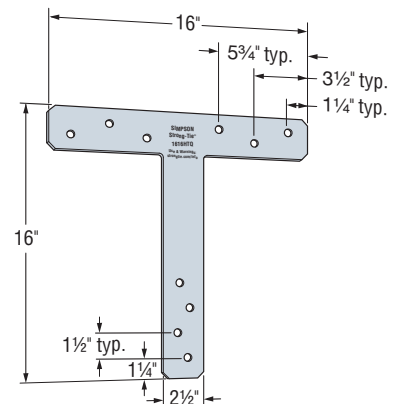
Typical T Installation



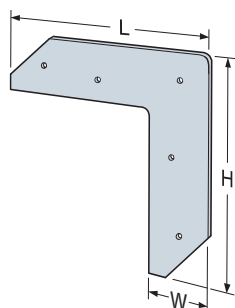
Typical L Installation



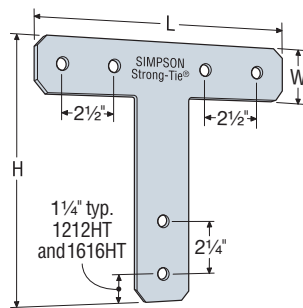
Typical 1616HTQ Installation



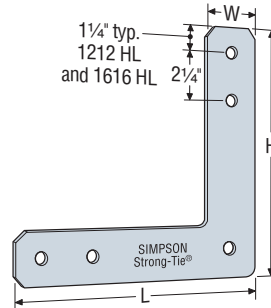
1616HTQ



55L



1212HT



1212HL